



EPE-EM3

LED Emergency Bulkhead

CE IP65  RoHS

INTRODUCTION

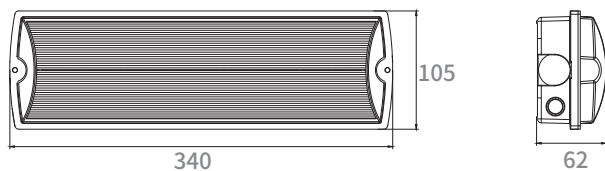
EPE-EM3 LED emergency bulkhead is controlled by smart IC, with self-test function. It has two different output which is adjustable at field. Left, right, up, down direction arrow pictogram legend is optional. Using the simple line and elegant element, EPE-EM3 has the ability to transcend ordinary design, as well as product quality.

FEATURES

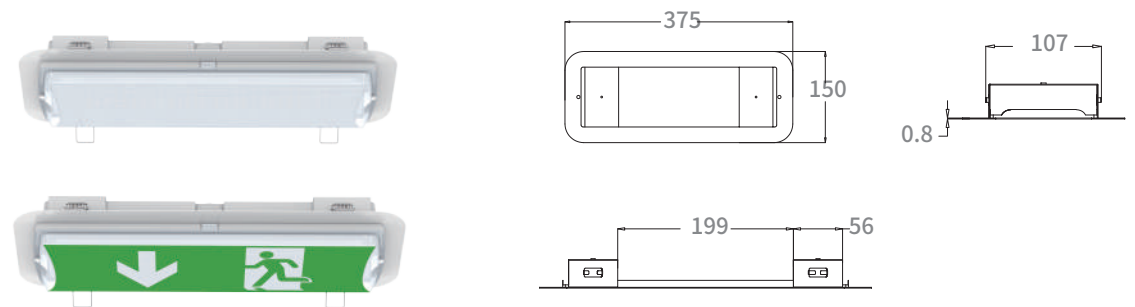
- Optional interchangeable legends.
- IP65 Rated.
- Efficiently and reliable LED light source.
- Suitable for wall / ceiling / recessed mounting.



Dimensions unit:mm



Recessed Mounting



Model List

Model	Input Voltage	Output Power	Lumen Output	Charge Duration	DischargeDuration	Battery	Test Mode
EPE-EM3-ST-AT-1H	220-240V	3W Max	200lm	24H	1H	LiFePO4 6.4V600mAh	Auto Test
EPE-EM3-ST-AT-3H	220-240V	3W Max	200lm	24H	3H	LiFePO4 6.4V1500mAh	Auto Test
EPE-EM3-ST-MT-1H	220-240V	3W Max	200lm	24H	1H	LiFePO4 6.4V600mAh	Manual Test
EPE-EM3-ST-MT-3H	220-240V	3W Max	200lm	24H	3H	LiFePO4 6.4V1500mAh	Manual Test

Driver Datasheet

Model	EPE-EM3
Power	4.5W Max
Rated Input Voltage(V)	AC230V
Frequency	50/60Hz
Input Voltage	AC220-240V
Discharge Efficiency	≥70%
Total load wattage	2W Max
Power Factor	≥0.3
Rated Input Current	≤0.08A
Full load output voltage	DC12V
Rated output current	140mA
Output current range	140mA±10%
Power tolerance	10%
Current output tolerance	10%
Surge	0.5KV
Withstand voltage	AC3750V

Technical Data Sheet

Model	EPE-EM3
LED	SMD 2835
CCT(K)	5000K
"Luminous Flux(lm) Non-DIM	140mA±10%
CRI	>70
LED Driver	Built-in
Protection Class	Class II
IP Rating	IP65
IK Rating	—
Finishing color	White
Material	PC
Glow wire test (°C)	COVER:850°C / LENS:650°C
Operating Temp (°C)	0°C ~45°C
Storage Temp (°C)	0°C ~65°C

Instructions for automatic test option

1.Once the unit is powered up it will automatically initiate a self test and diagnostics as follows:

- Every 4seconds: Checks for battery disconnection,charger board fault,lamp fault and transfer fault.
- Every month: Performs a 3minutes duration test.
- Every year:Performs a 1 hour or 3 hours duration test.

All test functions are factory preset and do not need field adjustment.

2.Dual Colour Indicator LED Status Mesnings

- Green Solid On Ready/Normal Operation
- Red Requires Service

•	One flashes, 4 seconds pause	Battery not connected
••	Two flashes, 4 seconds pause	Low battery voltage
•••	Three flashes, 4 seconds pause	Charger board fault
••••	Four flashes, 4 seconds pause	AC/DC transfer fault
•••••	Five flashes, 4 seconds pause	LED lamp fault

NOTE:After repairing a service fault,press and hole the test button for 2 seconds to reset the flashing indicator light to green.

3.Manual Testing

Press test button once	30 seconds duration test
Press test button twice within 2 seconds	3 minutes duration test
Press test button 3 times within 2 seconds	30 minutes duration test
Press test button 4 times within 2 seconds	1 hour or 3 hours duration test



▼ www.epowerem.com info@epowertech.cn TEL: +86-755 85272094 ▼
Add: 302, 6th Building, Hesheng Industrial park, FuHai Sub-district, Bao'an, Shenzhen, PRC