



EPE-3W-EM-SB

LED Surface Mounting Emergency Light



RoHS

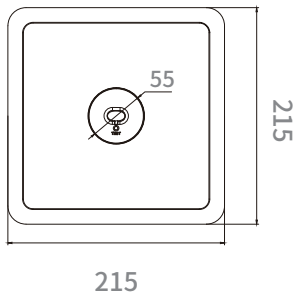
INTRODUCTION

When recessed installation is not feasible for your business, EPE-3W-EM-SB will be your best option. The surface mount emergency luminaire can be easily installed on the suspended ceiling or dry wall ceiling. High quality and classic design meet market demand, meanwhile the changeable lens can meet different application request.

FEATURES

- Round lens for open area application.
- Oval lens for escape route application.
- LiFePO4 battery, long life time.
- High power & efficiency LED
- D63 Rating

Dimensions unit:mm



Model List

Model	Input Voltage	Emergency Power	Lumen Output	Charge Duration	Discharge Duration	Battery	Test Mode
EPE-3W-EM-SB-MT-2H	200-240VAC	3W Max	280lm	16H	2H	LiFePO4 6.4V1500mAh	Manual Test
EPE-3W-EM-SB-AT-2H	200-240VAC	3W Max	280lm	16H	2H	LiFePO4 6.4V1500mAh	Auto Test

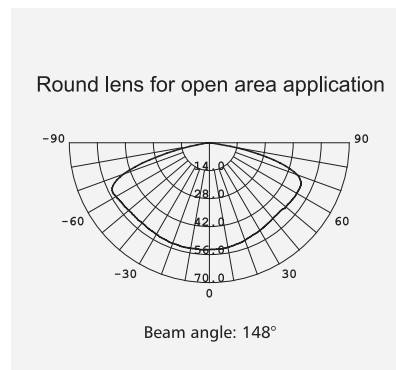
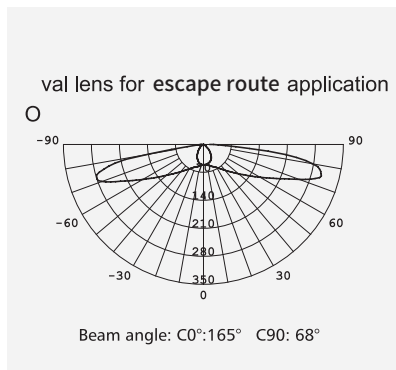
Driver Datasheet

Model	EPE-3W-EM-SB
Mains Power	3W
Rated Input Voltage(V)	AC230V
Frequency	50/60Hz
Input Voltage	AC200-240V
Efficiency	≥70%
Emergency Power	3W Max
Power Factor	≥0.3
Rated Input Current	≤0.03A
Full load output voltage	DC2.8-3.2V
Output current	800mA±10% (2H)
Short circuit protection	PASS
Over voltage protection	PASS
Over temperature protection	PASS
THD	—
Surge	0.5KV
Withstand voltage	AC3750V

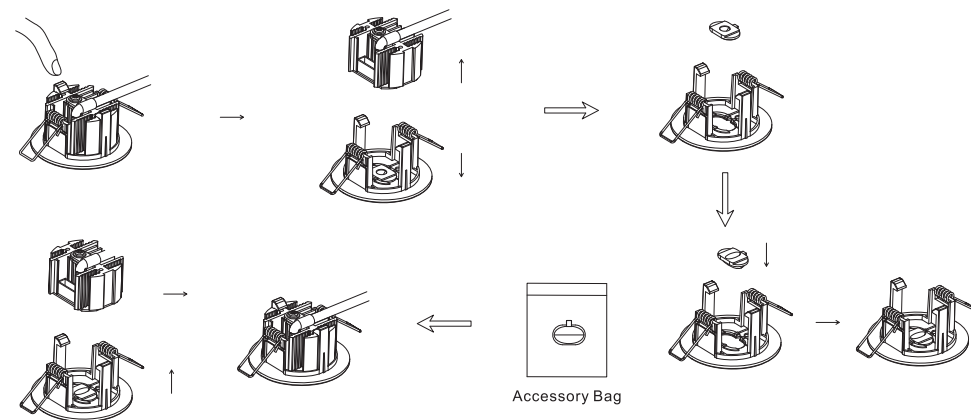
Technical Datasheet

Model	EPE-3W-EM-SB
LED	SMD LED 3535
CCT(K)	5000K
"Luminous Flux(lm) ±10%"	Non-DIM 280lm
CRI	>70
LED Driver	Built-out
Protection Class	Class II
IP Rating	IP20
Finishing color	White RAL 9016
Material	Aluminum+PC
Glow wire test (°C)	COVER:850 °C / LENS:650 °C
Operating Temp.(°C)	0 °C ~45 °C
Storage Temp.(°C)	0 °C ~65 °C

Photometric Data



Change Lens (Optional)



Classification

Round Lens		Oval Lens	
C0	D63	C0	A50
C90	D63	C90	E63

SPACING TABLE AND MOUNTING HEIGHTS-AS/NZS 2293.1:2018(MINIMUM LIGHT LEVEL OF 0.2LUX)

Classification	2.1m	2.4m	2.7m	3.0m	3.3m	3.6m	4.0m	4.5m	5.0m	6.0m	7.0m	8.0m	9.0m	10.0m
D63	11.5	13.2	14.8	16.5	18.1	19.8	22	24.5	25.2	26.4	27.3	28	28.5	28.8
E63	9	10.3	11.6	12.9	14.1	15	16.1	17.4	18.6	20.7	22.6	24.1	25.5	26.6



▼ www.epowerem.com info@epowertech.cn TEL: +86-755 85272094 ▼

Add: 302, 6th Building, Hesheng Industrial park, FuHai Sub-district, Bao'an, Shenzhen, PRC