



EPE-EM4

LED Surface Mounting Emergency Light

CE CB  RoHS

INTRODUCTION

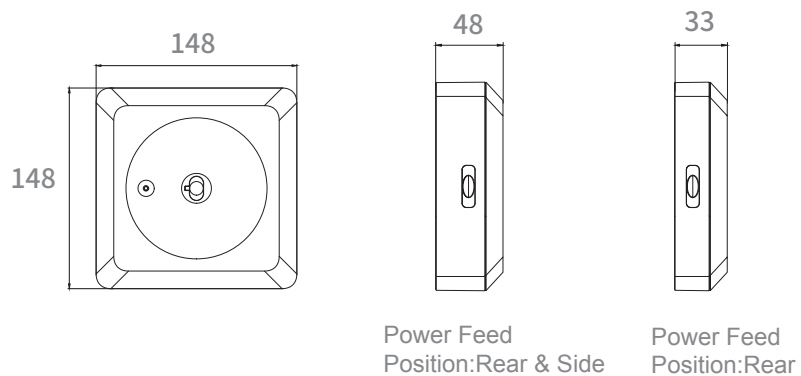
EPE-EM4 LED emergency down light is controlled by smart IC, with self-test function. Round lens for open area, Oval lens for pathway, suitable for ceiling mounting way. Using the simple line and elegant element, EPE-EM4 has the ability to transcend ordinary design, as well as product quality.

FEATURES

- Slim and modern design.
- Round lens and oval lens option.
- Intelligent control available.
- High power & efficiency LED.
- LiFePO4 battery, long life time.

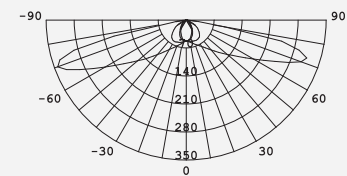


Dimensions unit:mm

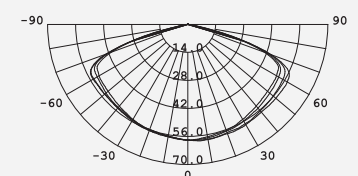


Photometric Data

Oval lens for escape route application



Round lens for open area application



Model List

Model	Input Voltage	Power Consumption	Charge Duration	Lumen Output	Discharge Duration	Battery	Test Mode
EPE-EM4-ST-AT-1H	200-240V	3W Max	24H	240lm	1H	LiFePO4 6.4V600mAh	Auto test
EPE-EM4-ST-MT-3H	200-240V	3W Max	24H	240lm	3H	LiFePO4 6.4V1500mAh	Manual Test
EPE-EM4-ST-AT-1H	200-240V	6W Max	24H	240lm	1H	LiFePO4 6.4V600mAh	Auto test
EPE-EM4-ST-MT-3H	200-240V	6W Max	24H	240lm	3H	LiFePO4 6.4V1500mAh	Manual Test

Driver Datasheet

Model	EPE-EM4-ST
Power Consumption	3W Max
Frequency	50/60Hz
Input Voltage	200-240V
Discharge Efficiency	≥80%
Output Power	1.8W±0.3W
Power Factor	≥0.3
Rated Input Current	≤0.035A
Full load output voltage	DC2.8-3.2V
Output current range	58mA±10%
Short circuit protection	PASS
Over voltage protection	PASS
Surge	0.5KV
Withstand voltage	AC3750V

Technical Data Sheet

Model	EPE-EM4-ST
Power Consumption	3W Max
LED	SAMSUNG 3535
CCT(K)±10%	5000K
"Luminous Flux(lm) ±10%"	240lm
CRI	>70
LED Driver	Built-in
Protection Class	Class II
IP Rating	IP20
Finishing color	White/Black
Material	PC
Glow wire test (°C)	COVER:850°C / LENS:650°C
Operating Temp (°C)	0°C ~45°C
Storage Temp (°C)	0°C ~65°C

Instructions for automatic test option

1.Once the unit is powered up it will automatically initiate a self test and diagnostics as follows:

- Every 4seconds: Checks for battery disconnection,charger board fault,lamp fault and transfer fault.
- Every month: Performs a 3minutes duration test.
- Every year:Performs a 1 hour or 3 hours duration test.

All test functions are factory preset and do not need field adjustment.

2.Dual Colour Indicator LED Status Mesnings

- Green Solid On Ready/Normal Operation
- Red Requires Service

•	One flashes, 4 seconds pause	Battery not connected
••	Two flashes, 4 seconds pause	Low battery voltage
•••	Three flashes, 4 seconds pause	Charger board fault
••••	Four flashes, 4 seconds pause	AC/DC transfer fault
•••••	Five flashes, 4 seconds pause	LED lamp fault

NOTE:After repairing a service fault,press and hole the test button for 2 seconds to reset the flashing indicator light to green.

3.Manual Testing

Press test button once	30 seconds duration test
Press test button twice within 2 seconds	3 minutes duration test
Press test button 3 times within 2 seconds	30 minutes duration test
Press test button 4 times within 2 seconds	1 hour or 3 hours



▼ www.epowerem.com info@epowertech.cn TEL: +86-755 85272094 ▼

Add: 302, 6th Building, Hesheng Industrial park, FuHai Sub-district, Bao'an, Shenzhen, PRC