



EPE-EX3

LED Exit Box

Light your way





Introduction

EPE-EX3 LED Exit Box is compact and decorative design with high luminance performance. It is suitable for wall mounting. LED self-contained luminaire with manual test and auto test optional. Replaceable pictogram legends design, including arrow right, left, down, up selectable

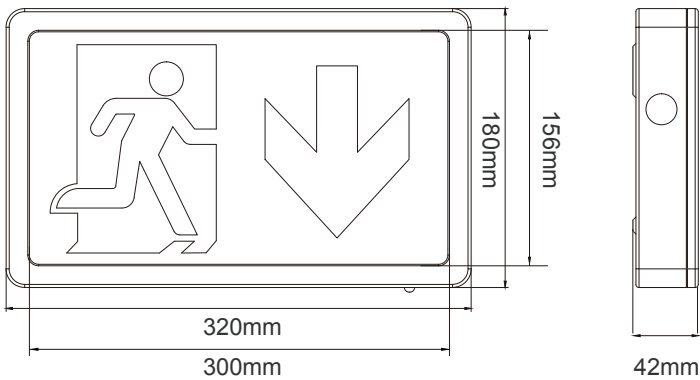
Features

1. Compact and decorative design.
2. Optional pictogram legends
3. Steel housing construction
4. Maintained and Non Maintained
5. Suitable for wall mounting
6. LiFePO4 battery, long life time.
7. View distance: 30m

Application Areas

It is designed for emergency lighting applications in office, supermarket, shop, school, hotel, etc. It is also widely used for public areas, such as stairway, lobby, reception, corridors etc.

Product Dimension



Driver Data sheet

Model	EPE-EX3
Output Power	1W Max
Frequency	50/60Hz
Input Voltage	220-240V
Efficiency	≥70%
Total load wattage	3.5W±0.5W
Power Factor	≥0.3
Rated Input Current	≤0.15A
Full load output voltage	DC12V
Output current range	65mA±10%
Short circuit protection	PASS
Over voltage protection	PASS
Over temperature protection	PASS
Surge	0.5KV
Withstand voltage	AC1500V

Technical Data Sheet

Model No.	EPE-EX3
Input Power	3.5W Max
Input Voltage(V)	220-240V
LED	SMD 2835
CCT(K)	5000K
CRI	>70
LED Driver	Built-in
Protection Class	Class I
IP Rating	IP20
IK Rating	-
Finishing color	White/Black
Material	Steel
Glow wire test (°C)	/
Operating Temp.(°C)	0°C ~45°C
Storage Temp.(°C)	0°C ~65°C

Model List

Model	Input Voltage	Power Consumption	Charge Duration	Discharge Duration	Battery	Test Mode
EPE-EX3-MT-3H	220-240V	3.5W Max	24H	3H	LiFePO4 6.4V600mAh	Manual Test
EPE-EX3-AT-3H	220-240V	3.5W Max	24H	3H	LiFePO4 6.4V600mAh	Auto Test

Pictogram legend Options

